

Specifications**Bahnantenne LTE/GPS/WLAN****Photos****Code-Nr.: 60803246****Electrical properties****LTE**

Antenna type	¼ mobile antenna
Frequency	690 ÷ 960 MHz, 1710 ÷ 1880 MHz 1850 ÷ 1990 MHz, 1920 ÷ 2700 MHz
Impedance	50 Ohm
Polarization	vertical
Emission	omnidirectional
Gain	3.5 dBi
Max Power	690 ÷ 960 MHz – less than 3.0 1710 ÷ 2700 MHz – less than 2.4

GPS

Antenna type	active planar patch antenna
Frequency	1575.42 MHz
Bandwidth	±1.023 MHz
Impedance	50 Ohm
Polarization	RHCP
Supply voltage	2.7÷5.1 V
Current absorption	12mA±1 at 2.7V 23mA±1 at 5.1V
Gain amplifier	20dB ±1 at 2.7V 23dB ±1 at 5.1V
Gain patch antenna	2 dB
Gain	3.5 dBi
Noise figure	1.7÷2.1 dB

W-LAN

Antenna type	¼ mobile antenna
Frequency	2400 ÷ 2485 MHz 5250 ÷ 5850 MHz
Impedance	50 Ohm
Polarization	vertical
Emission	omnidirectional
Gain	2.14 dBi
Max Power	10 Watt
VSWR	2400 ÷ 2485 MHz – less than 2.0 5250 ÷ 5850 MHz – less than 3.0

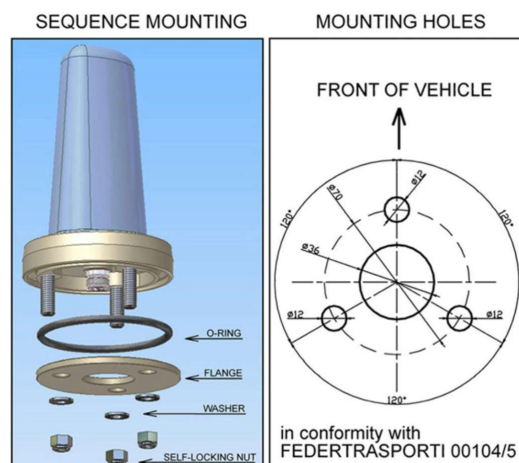
Mechanical properties

Antenna cable	LTE – no cable GPS – RG316 180mm ± 20mm WLAN – RG316 180mm ± 20mm
Colour	Black
Dimension	106 x 160mm (ø x H)
Mounting	according to FEDERASPORTI 00104/5
Build-in-Depth	Approx. 17mm
Material	Base – Aluminium alloy EN AW -0682 Radome – Polycarbonate UL 94 V 2
Net Weight	850g
Cable	RG174
Connector	LTE – N female GPS – optional WLAN – optional
Temperature	-40°C - +80°C

Certifications

DIN EN-50155:2008-03	DIN EN-60068-2-2:2008-05
DIN EN-60068-2-1:2008-01	DIN EN-61373:2010-04 category 1 class A
DIN EN-60068-2-30:2006-06	DIN EN ISO 9227:2012-09

Assembly drawing



60803246 / Bahnantenne