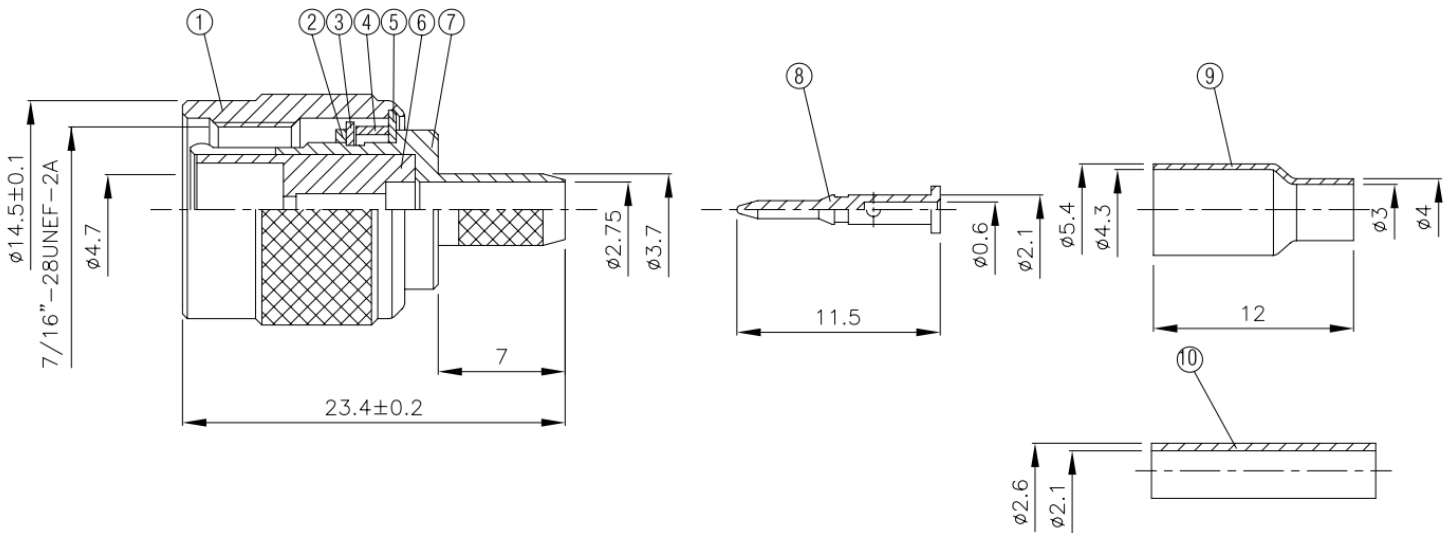
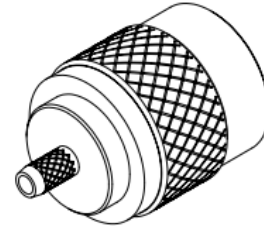


(Recommended Stripping Dimension)



No	Description	Material	Quantity	Finish
1	Body 1	Brass	1	Nickel
2	Rubber	Si Rubber	1	Rubber
3	Washer 1	Brass	1	Nickel
4	Washer 2	Brass	1	Nickel
5	Washer 3	Brass	1	Nickel
6	Insulation 1	Teflon	1	Teflon
7	Body 2	Brass	1	Nickel
8	Pin	Brass	1	Gold
9	Ring	Brass	1	Nickel
10	Insulation 2	Teflon	1	Teflon

Notes: Dimensions are in millimeters.

Tolerances, unless otherwise specified:

0,5-5 = ± 0,2	120-315 = ± 1
5-30 = ± 0,4	315-1000 = ± 1,6
30-120 = ± 0,6	1000-2000 = ± 2,4