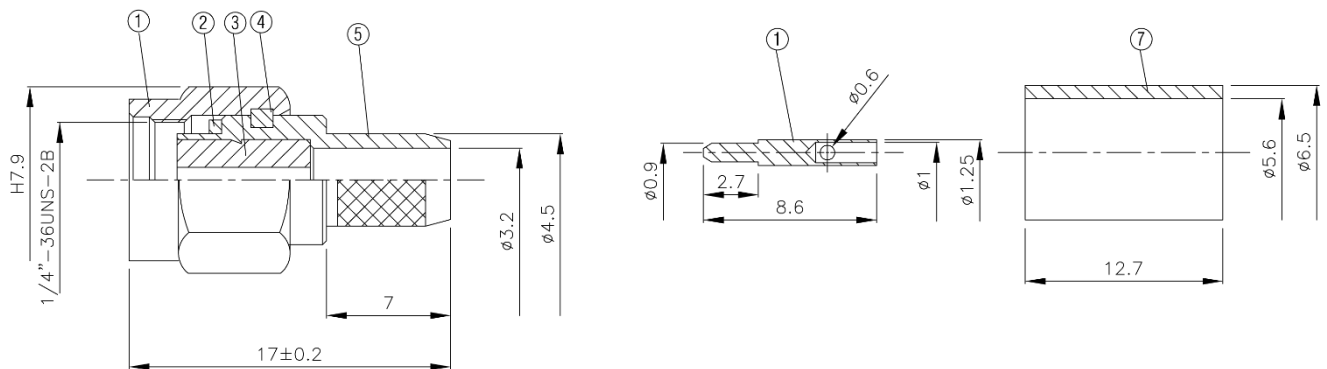
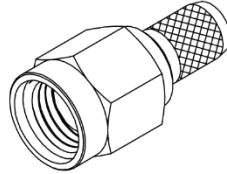


(Recommended Stripping Dimension)



No	Description	Material	Quantity	Finish
1	Shell	Brass	1	Gold
2	Gasket	SI Rubber	1	Rubber
3	Insulation	Teflon	1	Teflon
4	Washer	Ph. Bronze	1	Gold
5	Body	Brass	1	Gold
6	Pin	Brass	1	Gold
7	Ring	Brass	1	Gold

Notes: Dimensions are in millimeters.

Tolerances, unless otherwise specified:

0,5-5 = ± 0,2	120-315 = ± 1
5-30 = ± 0,4	315-1000 = ± 1,6
30-120 = ± 0,6	1000-2000 = ± 2,4