

## Specification

Code-Nr.: 60615080

### 5dB Gain Base Station Antenna for 850 MHz band

This meticulously constructed base station antenna with integrated multipurpose mounting bracket comes with a generous bandwidth which reduces the need for multiple antennas both in stock and on installation sites.

- High power antenna design
- No groundplane needed

## Electrical specification

Frequency	824-894 MHz 890-960 MHz
Bandwidth	A: 70MHz B: 70MHz
Antenna type	Half Wave Dipole
Impedance	50 ohm
V.S.W.R.	A: <1.5:1
Polarisation	Vertical
Gain	5 dBd, 7.1 dBi
Radiation pattern	Omni Directional (Horizontal)
Half Power Beamwidth	18°
Electrical Beam-tilt	0°
Max. Input Power	200 W
Antistatic Protection	Direct Ground

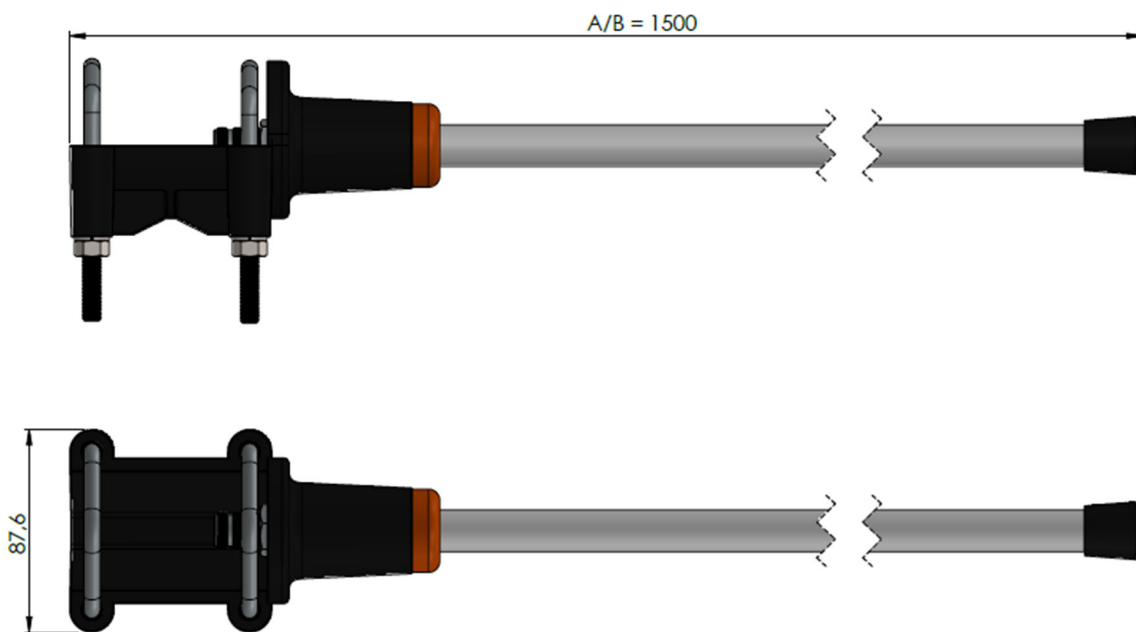
## Mechanical Specifications

Colour	White, Black and Orange
Length	See Outline Drawing
Weight	1.25kg
Mount Type	Fixed Tube Mounting Bracket
Mounting Place	On vertical or horizontal mast tube (Ø 30-60mm)
Materials	Antenna : Brass, Copper, Fibreglass and
Aluminium	Mounting Kit: Stainless steel A4 (AISI-316)
Survival Wind Speed	55m/s



Operating temperature	-55°C to +70°C (IEC 60068-2-1, IEC 60068-2-2)
Connector	N female
Ingress Protection	IP66
Vibration	IEC 60068-2-6, IEC 60068-2-64

## Outline Drawing



## Radiation Pattern

