

**Specifications****Bahnantenne LTE / GPS / WLAN****Photos****Code-Nr.: 60803246**

**SPEED TEST**  
**700+ KM/H**  
**APPROVED**

**Electrical properties****LTE**

Antenna type	¼ 1 mobile antenna
Frequency	690 – 960 MHz, 1710 – 2700 MHz
Impedance	50 Ohm
Max Power	100 Watt
VSWR LTE	690 – 960 MHz: less than 3.0 1710 – 2700 MHz: less than 2.4
Polarization	vertical
Emission	omnidirectional
Gain	3.5 dBi

**GPS / GNSS / GALILEO / BEIDOU**

Antenna type	active planar patch antenna
Frequency	1580 MHz
Bandwidth	±28 MHz
VSWR	less than 2.0
Impedance	50 Ohm
Polarization	RHCP
Supply voltage	2.7 – 5.1 V
Current absorption	10mA ±1 at 2.7V 16mA ±1 at 5.0V
Gain amplifier	18dB ±1 at 2.7V 22dB ±1 at 5.0V
Gain patch antenna	2 dB
Noise figure	1.7 – 2.1 dB

**W-LAN**

Antenna type	¼ 1 mobile antenna
Frequency	2400 – 2485 MHz 5250 – 5850 MHz
Impedance	50 Ohm
Max Power	10 Watt
VSWR	2400 – 2485 MHz: less than 2.0 5250 – 5850 MHz: less than 3.0
Polarization	vertical
Emission	omnidirectional
Gain	2.14 dBi

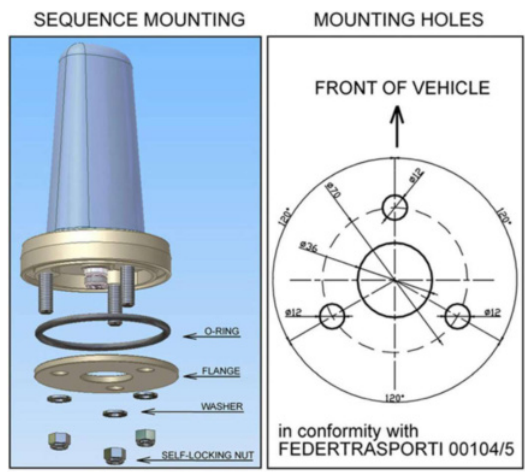
**Mechanical properties**

Antenna cable	LTE: no cable GPS: RG316 180mm ± 20mm WLAN: RG316 220mm ± 20mm
Colour Radome	RAL7011 Iron grey
Dimension	106 x 160mm (ø x H)
Mounting	according to FEDERTRASPORTI 00104/5
Build-in-Depth	Approx. 17mm
Material	Base: Aluminium alloy EN AW-6082 Radome: Polycarbonate UL 94 V 2
Net Weight	1000g
Cable	RG174
Connector	LTE: N female GPS: SMA m. WLAN: SMA f.
Temperature	-40°C – +80°C -30°C – +80°C for GPS

**Certifications**

DIN EN-50155:2008-03	DIN EN-60068-2-2:2008-05
DIN EN-60068-2-1:2008-01	DIN EN-61373:2010-04 category 1 class A
DIN EN-60068-2-30:2006-06	DIN EN ISO 9227:2012-09

**Assembly drawing**



60803246 / Bahnantenne